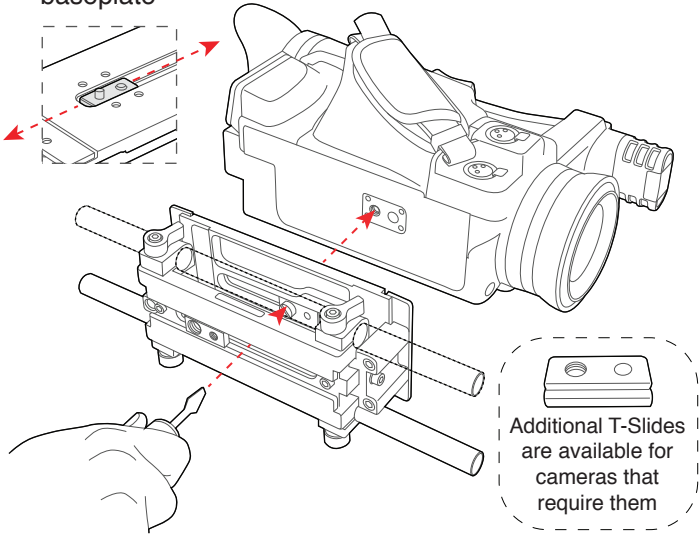


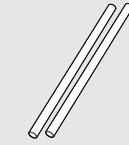


Operating your Universal Baseplate

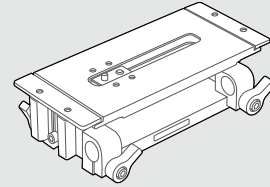
- 1** Align the 1/4"-20 screw and the locking pin to the holes underneath the camera and tighten the camera to the baseplate



Included Parts:



x2 12" Iris Rod



x1 Universal Baseplate



x1 5/32" Allen

Features:

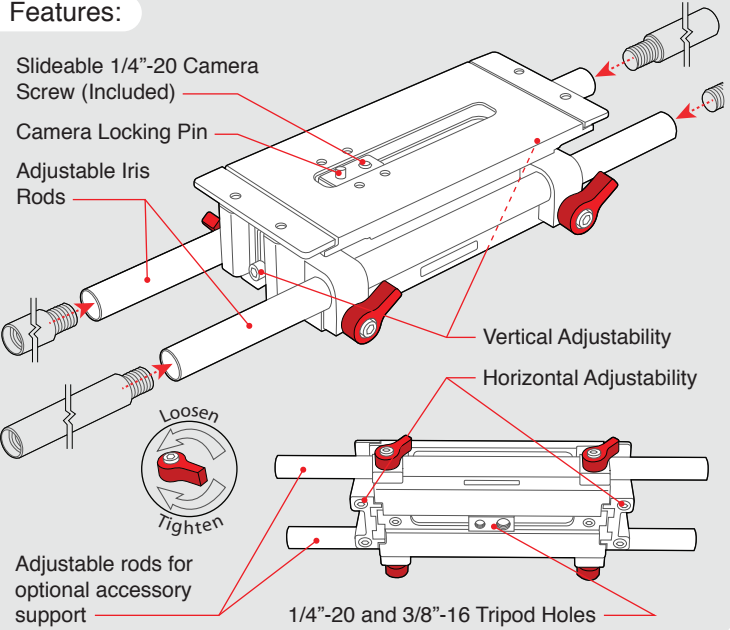
Slideable 1/4"-20 Camera Screw (Included)

Camera Locking Pin

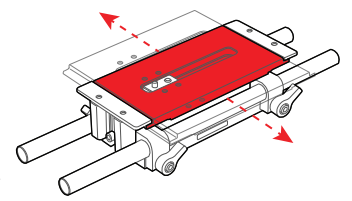
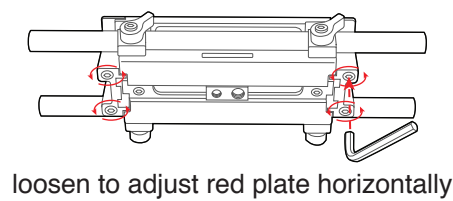
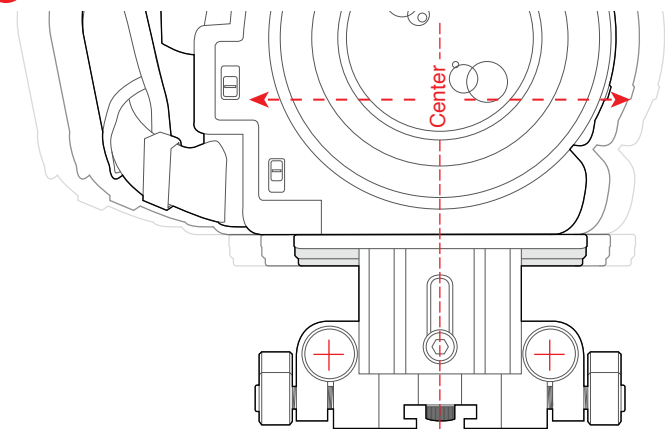
Adjustable Iris Rods

Vertical Adjustability

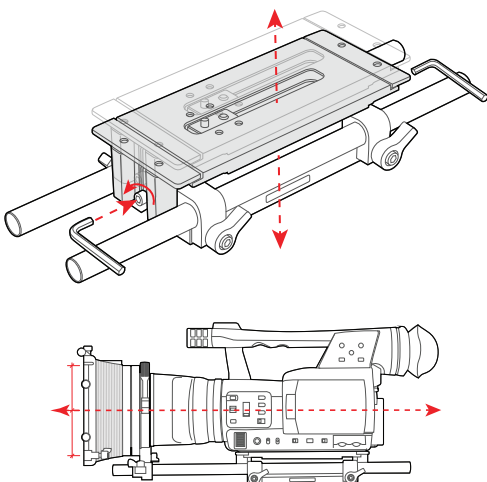
Horizontal Adjustability



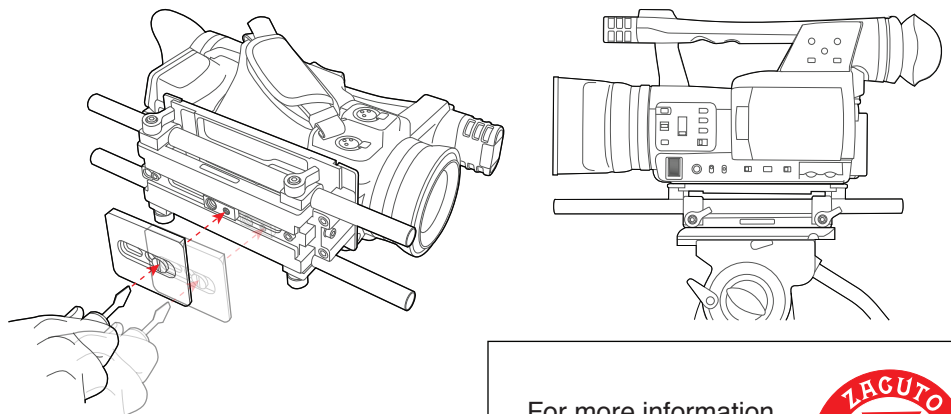
- 2** Center the camera lens between the iris rods



- 3** Adjust the height of the plate



- 4** Attach tripod quick release plate to the baseplate with 1/4"-20 holes



For more information, watch our tutorial video at Zacuto.com

