

Century Lens Accessories for Panasonic AG-HVX200A

Century's Pro Series HD offers quality professional lens accessories designed to help you go wider, reach further, and move in closer than the lens on your HVX200A alone allows. Century's superb optics provide the finest professional images. These state-of-the-art add-ons minimize chromatic aberrations and unwanted distortion and produce images that are ultrasharp edge-to-edge. Most of Century's accessories interface directly with the bayonet mount at the front of the lens so mounting and removing is quick and easy.



.6X HD Wide Angle Adapter



OHD-06WA-HX2

Lightweight and cost-effective, the .6X Wide Angle Adapter increases coverage by 40%. This professional optical tool yields a much wider angle of view with extremely low distortion. Once in place it permits partial zoom only making this add-on ideal for shooting situations in which full zoom isn't needed.

.75X HD Wide Angle Converter



OHD-75CV-HVX

The right tool for shooting situations that require both a wider angle of view and full zoom capability. This professional add-on lens produces crisp, high resolution images with low distortion, and superior contrast edge-to-edge.

Fisheye HD Adapter



OHD-FESU-HVX

Add the Fisheye to the front of your lens for a wider angle of view and a remarkable degree of barrel distortion with no vignetting. The Fisheye exaggerates depth, pulling nearby objects closer and causing distant objects to recede into the background. The Fisheye allows for partial zoom—but for the most pronounced effect, you'll want to stay at the wide end of the range.

Xtreme HD Fisheye*



OHD-FEWA-HVX

The broadest fisheye on the market, this eye-popping attachment offers an ultra-wide field of view along with pronounced barrel distortion. Employing the highest grade optics, produces 160° HFV (180° at the corners).

1.6X HD Tele-Converter



OHD-16TC-HVX

Extend the reach of your zoom without exposure loss. The 1.6X Tele-Converter is a front-mounted accessory that also provides greater telephoto reach. Use it to instantly shift the focal length range of your camera in the telephoto direction. The perfect tool when it's inconvenient, dangerous or impossible to move as close to the subject as you would like.

2.0X HD Tele-Converter*



OHD-20TC-HVX

Extend the reach of your zoom even further without exposure loss. The 2.0X Tele-Converter is a front-mounted accessory that also provides greater telephoto reach. Use it to instantly shift the focal length range of your camera in the telephoto direction.

*Support recommended.

Achromatic Diopters



OAD-8620, OAD-8626

For maximum magnification and image clarity, these Macro Zoom Attachments offer more close-up range, while preserving zoom capability. Ideal for focusing tightly on small objects in tabletop, miniature, and flat field work. In +2.0 and +2.6 strengths. Stackable for even greater magnification. (Adapter ring required Stock #OFA-8286-00)

Wide Angle Sunshade



OVS-SS05-00

This lightweight, 105mm Clamp-on sunshade is a cost-effective means of light management. Offers a provision for (1) 4"x4" glass filter in a holder. Weighs only 6.5 oz.

LCD Hood



OVS-LCDH-DVX

The Century LCD hood is custom made to fit the HVX200 3.5" diagonal LCD screen. This durable rectangular black matte add-on slips effortlessly over the camcorder's flip-out screen to provide operators with glare-free viewing, even in bright sunlight. Simply slide the hood in place for improved outdoor and indoor viewing of the camera's LCD screen.

Specifications

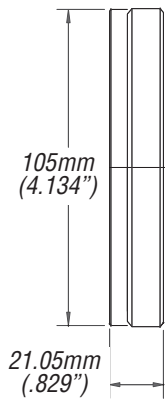
Century

Century Add-ons for Panasonic AG-HVX200A Camcorder in 16:9 mode.

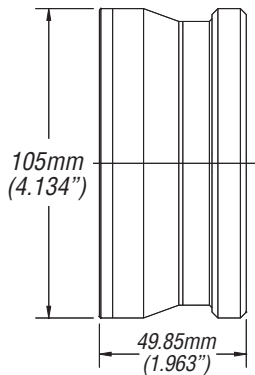
	Description	Focal Length	Aperture	Horiz. Angle of View	35mm Still Equivalent	Comments
ORIGINAL LENS	13X	4.2-55mm	f/1.6-f/2.8	59.5°-5.0°	32.5-423mm	
OHD-06WA-HX2	.6X HD Wide Angle Adapter*	2.5-14.9mm	f/1.6-f/2.8	87.7°-18.3°	18.7-112mm	Partial zoom capability
OHD-75CV-HVX	.75X HD Wide Angle Converter*	3.15-41.3mm	f/1.6-f/2.8	74.6°-6.7°	23.6-307.5mm	Full zoom capability
OHD-FESU-HVX	Fisheye HD Adapter*	Approx. 1.7	f/1.6-f/2.8	109°	13mm	Partial zoom capability
OHD-FEWA-HVX	Xtreme HD Fisheye	Approx. 1.26	f/1.6-f/2.8	160°	3.2mm	Partial zoom capability
OHD-16TC-HVX	1.6X HD Tele-Converter*	39.6-88mm	f/1.6-f/2.8	6.9°-3.1°	299-665.2mm	Partial zoom, vignettes @ wide angles
OHD-20TC-HVX	2.0X HD Tele-Converter*	41-110mm	f/1.6-f/2.8	6.8°-2.5°	303.5-814mm	Partial zoom, vignettes @ wide angles
OAD-8620-00	+ 2.0 Achromatic Diopter**	N/A	f/1.6-f/2.8	N/A	N/A	Full zoom capability
OAD-8626-00	+ 2.6 Achromatic Diopter**	N/A	f/1.6-f/2.8	N/A	N/A	Full zoom capability

*Note: Bayonet Mount

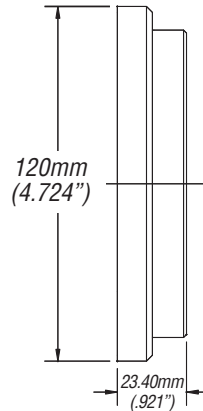
**Note: Adapter Ring (OFA-8286-00) Required



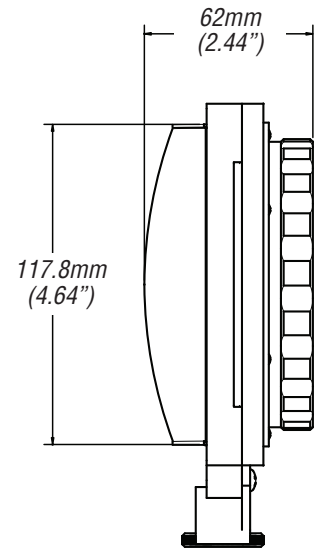
.6X Wide Angle Adapter
7oz (200g)
102mm Filter Thread



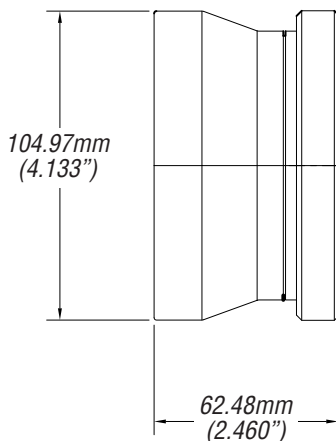
.75X Wide Angle Converter
36oz (1.0kg)



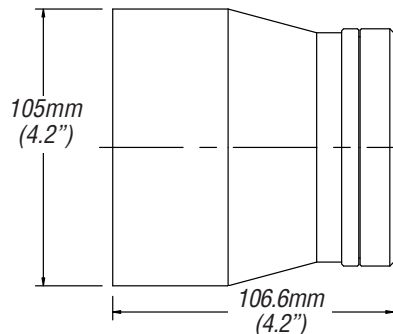
Fisheye Adapter
12.7oz (360g)



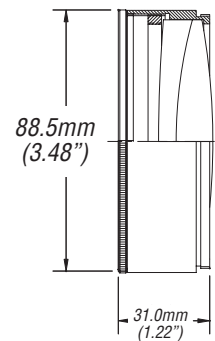
Xtreme Fisheye
56.5oz (1.6kg)



1.6X Tele-Converter
26oz (731g)
102mm Filter Thread



2.0X Tele-Converter
47oz (1.3kg)
(102mm filter thread)



Achromatic Diopter
15oz (440g)
86mm Filter Thread

1-800-228-1254

Schneider OPTICS
It Starts with the Glass™

West Coast • 7701 Haskell Ave. • Van Nuys, CA 91406 • Tel: 818-766-3715 • Fax: 818-505-9865
East Coast • 285 Oser Ave • Hauppauge, NY 11788 • Tel: 631-761-5000 • Fax: 631-761-5090

Printed in USA GCA 200 4.13.09